

# HX10M 540

## HIGH LIFT PALLET TRUCK - MANUAL



### HX10 M

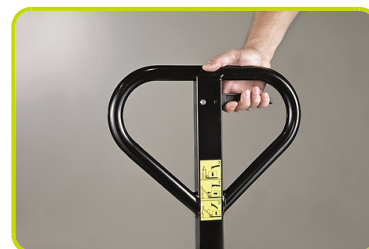
The HX10M scissor Lift makes possible an easy and light lifting to a height of 800 mm, becoming a practical work platform, suitable for places such as machine workshops.

This pallet truck is also able to carry out the support function and material supply along the assembly and production lines.



### CONTROL LEVER

The handle offers an ergonomic tiller and a 3 positions control lever. The special lowering valve allows you to smoothly lower the load.



### HYDRAULIC UNIT

Resistant and reliable one piece cast iron pump including:

- TWO-STAGE TELESCOPIC LIFTING PISTON: to allow working with low profile frame granting lightness and better operator visibility.
- MAXIMUM PRESSURE VALVE: safety device that ensures the transpallet against overloads. When the pressure inside the hydraulic circuit exceeds the set calibration value according to the maximum nominal flow, the valve automatically locks the forks.
- PROPORTIONAL LOWERING VALVE: lowering speed can be proportionally controlled according to the lever position on the tiller. Perfect working tool to carry fragile and delicate loads like crystal, glass and ceramics.



### FRONT AND REAR STABILIZERS

The new control linkage makes possible the entry on the closed side of the pallet by a slight lifting, which facilitates the successive handling phases.

Furthermore, greater machine stability is achieved by using load rollers in a more advanced position and providing front stabilizers as standard.

Work is made even more stable and safer with the rear stabilizers, also when the working height exceeds the 400 mm and in the case of heavy objects.



## CONFIGURATION

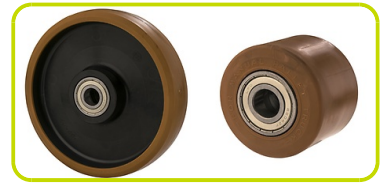
### STANDARD:

Nylon polyurethane steering wheels and polyurethane rollers

Quick lift. The perfect tool to lift quicker your loads up to 150 kg. The hydraulic pump is specifically engineered to cut by half the job time and increase efficiency.

### OPTIONAL:

Rubber steering wheels



## Description

1.1 Fabricante			LIFTER
1.3 Grupo tracción			Manual
1.4 Conducción			Acompañante
1.5 Capacidad carga	Q	Kg	1000
1.6 Centro gravedad	c	mm	600
1.8 Distancia de la carga	x	mm	993
1.9 Distancia entre ejes	y	mm	1231

## Weights

2.1 Peso con batería		Kg	104
2.2 Carga sobre ejes con carga, atras		Kg	713
2.2 Carga sobre ejes con carga, delante		Kg	391
2.3 Carga sobre ejes sin carga, delante		Kg	71
2.3 Carga sobre ejes sin carga, atras		Kg	33

## Tyres/Chassis

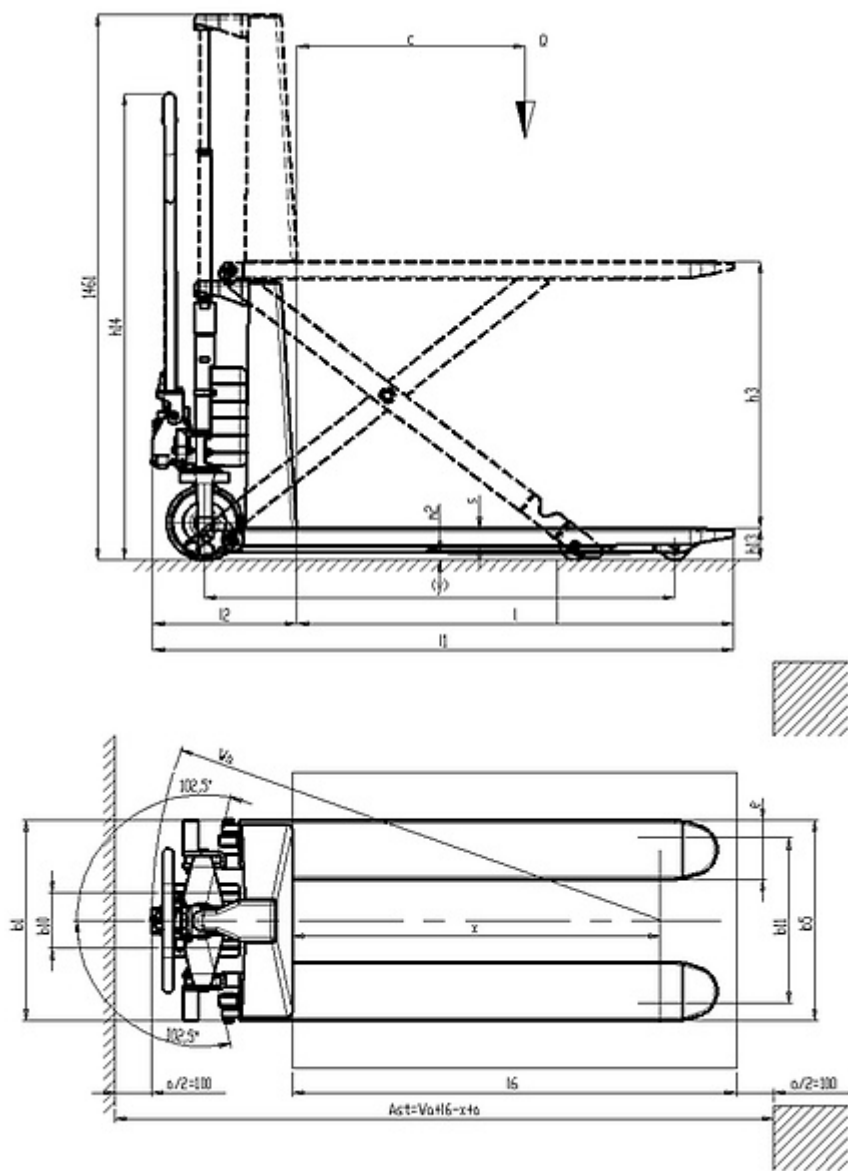
3.1 Tyres: front wheels			POLY.I./ NYLON
3.1 Ruedas traseras			POLY.I.
3.2 Dimensiones ruedas delanteras - Ancha		mm	45
3.2 Dimensiones ruedas delanteras - Diametro		mm	200
3.3 Dimensiones ruedas traseras - Diametro		mm	80
3.3 Dimensiones ruedas traseras - Ancha		mm	50
3.5 Dimensiones ruedas traseras - Q.ty (X=motriz)		nr	2
3.6 Vía delantera	b10	mm	155
3.7 Vía trasera	b11	mm	447

## Dimensions

4.4 Elevación	h3	mm	715
4.9 Altura del timón max	h14	mm	1250
4.9 Height of tiller in drive position min	h14	mm	415
4.15 Altura horquillas bajadas	h13	mm	85
4.19 Longitud total	l1	mm	1526
4.20 Longitud de timón a horquillas	l2	mm	376
4.21 Ancho total	b1	mm	540
4.22 Dimensiones horquillas	s	mm	48
4.22 Dimensiones horquillas	e	mm	160
4.22 Dimensiones horquillas	l	mm	1150
4.25 Ancho horquillas	b5	mm	540
4.32 Altura libre inferior, con carga, al centro entre ejes	m2	mm	21
4.34 Pasillo de trabajo para palet 800x1200 longit.	Ast	mm	2019
4.35 Radio de giro	Wa	mm	1369

## Performances

5.2 Velocidad de elevación con carga		m/s	62
5.2 Velocidad de elevación sin carga		m/s	30
5.3 Lowering speed laden		m/s	0.06
5.3 Lowering speed unladen		m/s	0.04



The information is aligned with the Data file at the time of download. Printed on 30/08/2018 (ID 626)

©2018 | PR INDUSTRIAL s.r.l. | All rights reserved | Image shown may not reflect actual package. Specifications subject to change without notice