

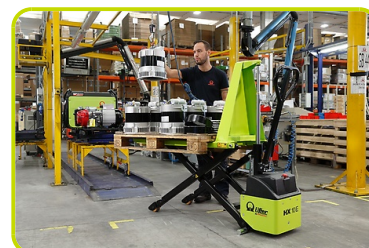
HX10E 1150X540

HIGH LIFT PALLET TRUCK - ELECTRIC



HX10 E

The HX10E scissor Lift makes possible an easy and light lifting to a height of 800 mm thanks to the reliable electric motor and to the powerful battery. When lifted, it becomes a practical work platform, which is suitable for places such as machine workshops. This pallet truck is also able to carry out the support function and material supply along the assembly and production lines.



TILLER

The handle offers an ergonomic tiller and an electric switch for lifting and lowering operations. The tiller design ensures operator comfort on pushing operations.



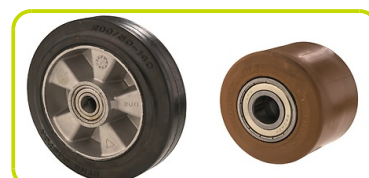
SAFETY AND EFFICIENCY

The emergency pushbutton with the function of battery cut-off switch (isolator) and the off-load valve allowing a smoother lowering of the load are some of the devices that make the work safer and more efficient.



STANDARD CONFIGURATION

Rubber steering wheels and polyurethane rollers



Complete with 12V battery and external battery charger

OPTIONAL CONFIGURATION

AUTO LEVELING SYSTEM

- Automatic system that, by means of a sensor, adjusts the height of the forks keeping constant the desired working height
- Optical and acoustic signal activated at each fork movement
- Possibility of sensor adjustment
- Micro-switch active both on the way up to prevent superfluous absorption of energy and on the way down to protect the operator



PLUS VERSION

- Semi-traction 12V 80Ah C20 battery: powerful battery allowing long endurance and good number of charging cycles
- Battery status indicator



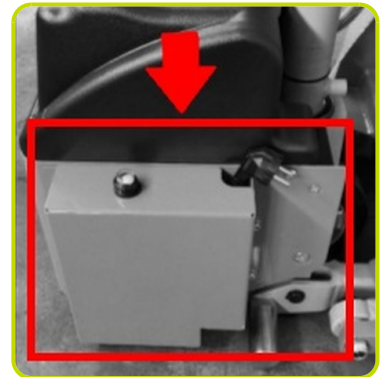
GEL VERSION

- 12V 55Ah C20 battery: particularly suitable for deep cycle applications, gel battery is safer (no acid spilling out) and does not need watering
- Battery status indicator



ON-BOARD BATTERY CHARGER

- Battery status indicator visible from the maneuvering station
- Extendable power charger cable



Description

1.1 Fabricante			LIFTER
1.3 Grupo tracción			Manual
1.4 Conducción			Acompañante
1.5 Capacidad carga	Q	Kg	1000
1.6 Centro gravedad	c	mm	600
1.8 Distancia de la carga	x	mm	993
1.9 Distancia entre ejes	y	mm	1231

Weights

2.1 Peso con batería		Kg	139
2.2 Carga sobre ejes con carga, atras		Kg	706
2.2 Carga sobre ejes con carga, delante		Kg	433
2.3 Carga sobre ejes sin carga, delante		Kg	112
2.3 Carga sobre ejes sin carga, atras		Kg	27

Tyres/Chassis

3.1 Tyres: front wheels			GOMA
3.1 Ruedas traseras			POLY.I.
3.2 Dimensiones ruedas delanteras - Ancha		mm	50
3.2 Dimensiones ruedas delanteras - Diametro		mm	200
3.3 Dimensiones ruedas traseras - Diametro		mm	80
3.3 Dimensiones ruedas traseras - Ancha		mm	50
3.5 Dimensiones ruedas traseras - Q.ty (X=motriz)		nr	2
3.6 Vía delantera	b10	mm	155
3.7 Vía trasera	b11	mm	447

Dimensions

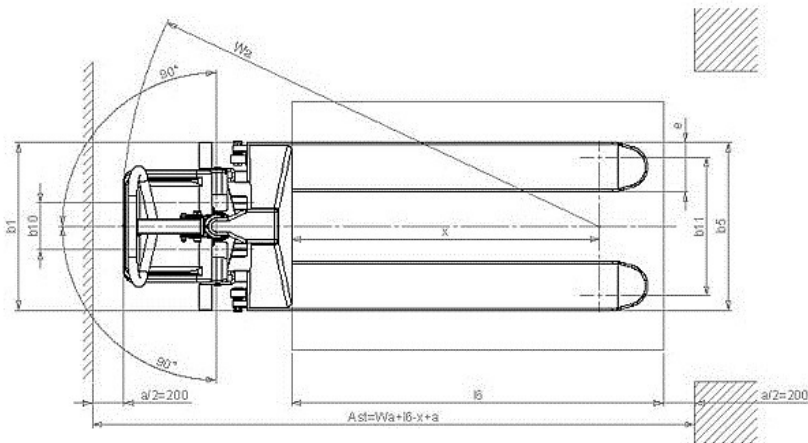
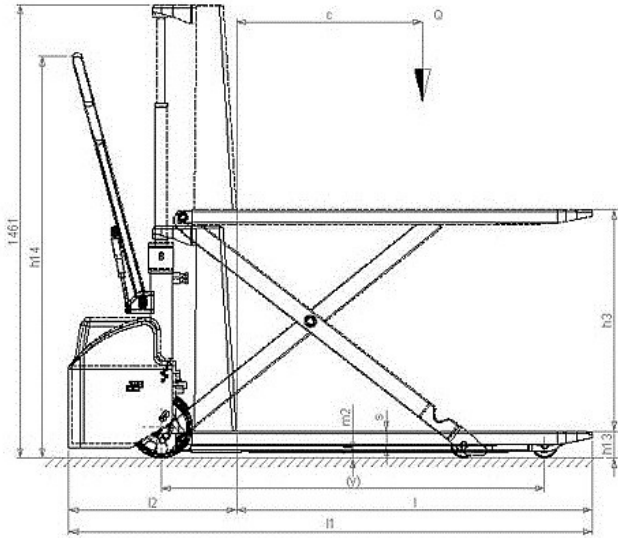
4.4 Elevación	h3	mm	715
4.9 Height of tiller in drive position min	h14	mm	915
4.9 Altura del timón max	h14	mm	1300
4.15 Altura horquillas bajadas	h13	mm	85
4.19 Longitud total	l1	mm	1690
4.20 Longitud de timón a horquillas	l2	mm	540
4.21 Ancho total	b1	mm	540
4.22 Dimensiones horquillas	s	mm	48
4.22 Dimensiones horquillas	e	mm	160
4.22 Dimensiones horquillas	l	mm	1150
4.25 Ancho horquillas	b5	mm	540
4.32 Altura libre inferior, con carga, al centro entre ejes	m2	mm	21
4.34 Pasillo de trabajo para palet 800x1200 longit.	Ast	mm	2193
4.35 Radio de giro	Wa	mm	1541

Performances

5.2 Velocidad de elevación con carga		m/s	0.08
5.2 Velocidad de elevación sin carga		m/s	0.13
5.3 Lowering speed laden		m/s	0.13
5.3 Lowering speed unladen		m/s	0.06

Electric motors

6.2 Lift motor power	kW	1.6
Tipo de batería	Type	AUTOMOTIVE
6.4 Battery voltage	V	12
6.4 Battery capacity, Min	Ah	60
6.4 Battery capacity, Max	Ah	60
6.5 Battery weight, Min	Kg	14
6.5 Battery weight, Max	Kg	14



The information is aligned with the Data file at the time of download. Printed on 14/08/2018 (ID 481)

©2018 | PR INDUSTRIAL s.r.l. | All rights reserved | Image shown may not reflect actual package. Specifications subject to change without notice

