

# MAXIMAL FORKLIFT

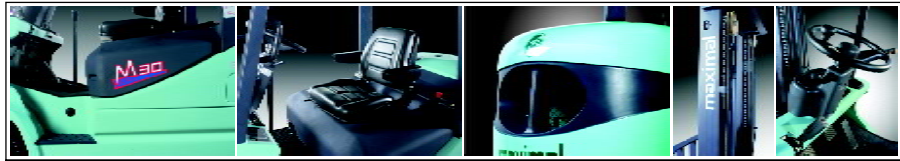


## M SERIES

2.0 / 2.5 / 3.0 / 3.5t

Diesel Forklift (ISUZU / YANMAR Engine)

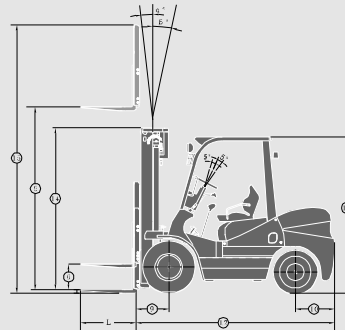
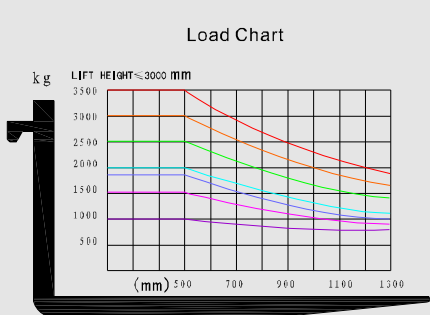
Sino-American Zhejiang Maximal Forklift Co.,Ltd.



# MAXIMAL FORKLIFT SPECIFICATION

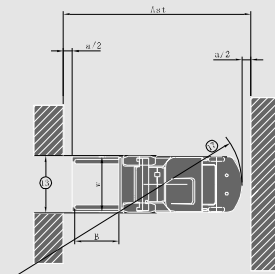
## M series 2.0-3.5t diesel forklift specification

General		FD20T-MWA3	FD25T-MWA3	FD30T-MWA3	FD20T-MWC3	FD25T-MWC3	FD30T-MWE3	FD35T-MWE3	
		FD20-MWA1	FD25-MWA1	FD30-MWA1	FD20-MWC1	FD25-MWC1	FD30-MWE1	FD35-MWE1	
1	Model								
2	Power type	Diesel							
3	Rated capacity	Kg	2000	2500	3000	2000	2500	3000	
4	Load centre	mm	500						
5	Lift height	mm	3000						
6	Free lift height	mm	160		165	160	160	165	
7	Fork size	L×W×T	1070×122×40		1070×125×45	1070×122×40	1070×125×45	1070×125×50	
8	Fork regulating range	Min./Max.	250/1040		250/1100	250/1040		250/1100	
9	Mast tilt angle	F/R	6°/12°						
10	Front overhang	mm	460		485		460	485	
11	Rear overhang	mm	460	495	520	460	495	520	
12	Min. ground clearance(Bottom of mast)	mm	125		140	125		140	
13	Overall dimensions	Length to face of fork (without fork)	mm	2510	2545	2685	2510	2545	
14		Overall width	mm	1150		1210	1150		
15		Max lowered height	mm	2010		2075	2010		
16		Max extended height (with backrest)	mm	4020		4140	4020		
17		Overhead guard height	mm	2095		2120	2095		
18	Turning radius(outside)	mm	2180	2250	2430	2180	2250	2430	
19	Min. right angle stacking aisle width (add load length and clearance)	mm	1940	2010	2140	1940	2010	2140	
20	Speed	Travel(Unladen)	Km/h	19					
21		Lifting(Laden)	mm/s	510		410	510		
22		Lowering(Laden)	mm/s	450					
23	Max. Drawbar pull(Laden/unladen)	KN	17/15		19/17				
24	Max. Gradeability(Loaden)	%	20					18	
25	Tyre	Front	mm	7.00-12-12 PR		28×9-15-14 PR	7.00-12-12 PR		
26		Rear	mm	6.00-9-10 PR		6.50-10-10 PR	6.00-9-10 PR		
27	Tread	Front	mm	970		1000	970		
28		Rear	mm	980		980	980		
29	Wheelbase	mm	1600		1700	1600			
30	Self weight	kg	3450	3620	4310	3450	3620	4310	
31	Weight Distribution	Laden	Front Axle	kg	4690	5260	6290	4690	5260
32			Rear Axle	kg	760	860	1020	760	860
33		Unladen	Front Axle	kg	1550	1630	1940	1550	1630
34			Rear Axle	kg	1900		2370	1900	
35	Battery	Voltage/Capacity	V/Ah	12/100					
36	Engine	Model		C240-PKJ20 (Eu II/EuIII)		4TNE92-HZ(EuIII)		4TNE98(EuIII)	
37		Manufacture		ISUZU		YANMAR		YANMAR	
38		Rated output/r.p.m.	Kw	34.6/2500		33/2450		44.3/2300	
39		Rated torque/r.p.m.	N.m	139/1800		150/1600		186-206/1700	
40		No. of cylinder		4		4		4	
41		Bore×Stroke	mm	86×102		92×110		98×110	
42		Displacement	L	2,369		2,659		3,318	
43	Fuel tank capacity	L	60	70		60		70	
44	Transmission	Manufacture		China		China		China	
45	Transmission	Type		Hyd(Mech)					
46		Stage	F/R		1/1(2/2)				
47	Operating pressure(For attachments)	Mpa	17.5						



a=200 mm safety clearance

$$AST = a + \textcircled{1} + \textcircled{2} \sqrt{W^2 + (B/2)^2}$$



Sino-American Zhejiang Maximal Forklift Co., Ltd.  
Address: No. 1, Jinxin Road, Lushan Industrial area, Fuyang, Zhejiang China

Tel: 0086-571-28001566 28935028 28935029

Fax: 0086-571-28001569

Website: www.maxforklift.com

E-mail: info@maxforklift.com



All rights reserved. Any doubt, please contact us.