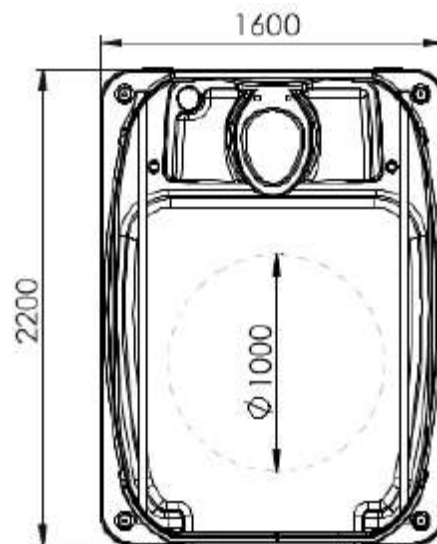
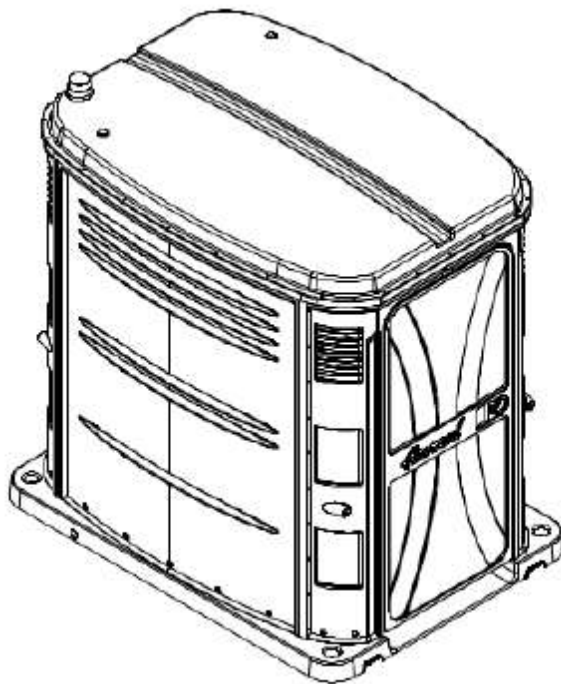
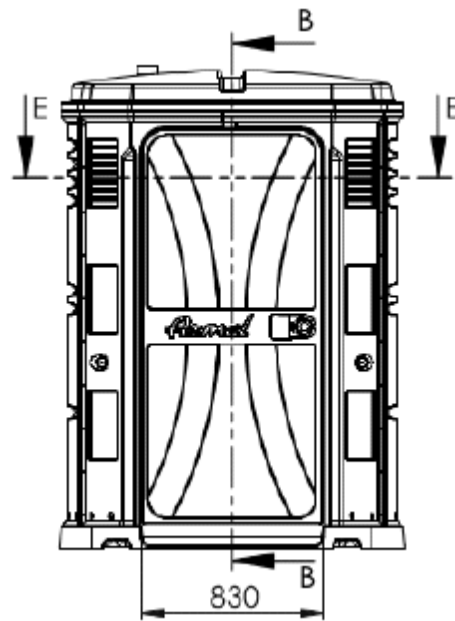
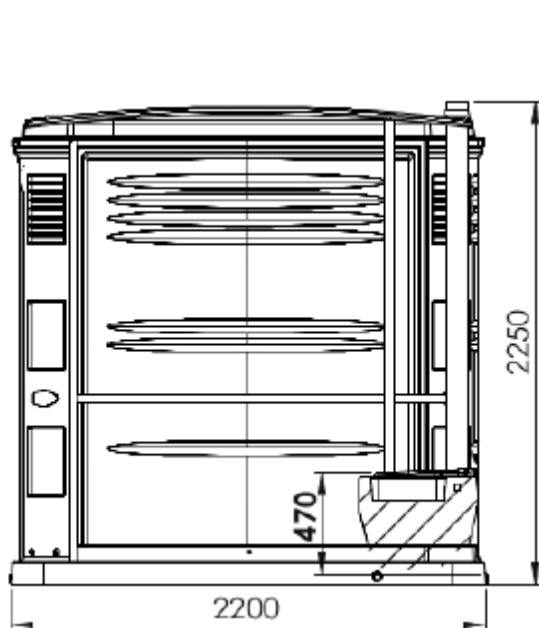


Armal

CUBE HN TOILET FOR DISABLED PEOPLE



Armal.

TECHNICAL SPECIFICATIONS	
Material Used	PE HD + Anti UV Treatment
External Dimension (mm)	2200x1600x2250
Internal Dimension (mm)	1600x1250x2200
Tank Capacity	100 Lt. ca.
Weight Empty	110 Kg

SCALE : 1 :30

TOLERANCE : +/- 0,5 mm

Rev. 0 dd 06/05/15

DISCLOSURE : data and information contained or obtainable by this design are the exclusive propriety of Armal. Any reproduction in whole or in part is prohibited, without the written permission of Armal